

# One

## Body

Aluminium die-cast body and heat sink with electrostatic 100% polyester paint finish. Stainless steel springs. Option IP65 available.

## Optics

Lightcore is built based on micro surfaces with complex geometry coated with aluminium alloy, creating a high-gloss, entirely mirrored surface. Accurate reflector for a defined and controlled beam of light, achieving maximum efficiency. Developed in partnership with Bartenbach GmbH.

## Accessories

Fitting accessories for different applications are available.

## Light source

O/M LED modules with excellent colour consistency (2 step-MacAdam) and long operating lifespan (>50.000h; L80/B10).

LED CRI>90 2700K, 3000K; CRI>80 4000K, Tunable White (other than One Spot).

## Power Supply

Drivers On/Off or DALI included. Driver fits through the cut-hole. Tunable White option with DT8 DALI driver.



## Lightcore optics



Suitable for wet areas, IP65.



Tunable white



## One / One Trimless

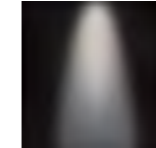
Ø85mm

Ø60mm

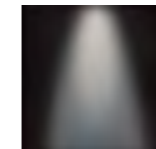
Ø45mm



Spot  
UGR<10



Medium  
UGR<10



Flood  
UGR<16



## Accessories (Optional)

Accessories available separately for flush installation or integration in acoustic ceilings.



Accessory 12.5mm ceilings  
(flush installation)



Accessory 10-40mm ceilings  
(acoustic ceiling)

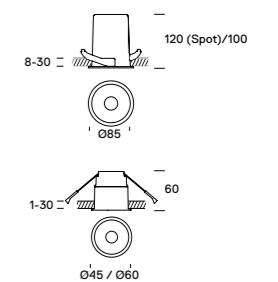
## Accessories (Mandatory)

Accessories available separately for trimless version.

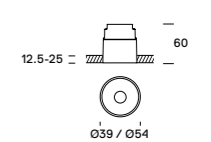


Trimless accessory  
(12,5 / 15 / 25mm ceilings)

## One



## One Trimless



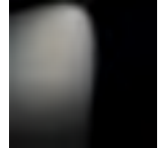
Finishes

○.01 White


●.02 Black


## One Asymmetric / One Asymmetric Trimless

Ø85mm
Ø60mm

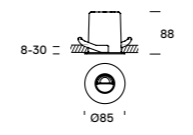
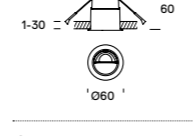


Asymmetric

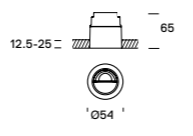



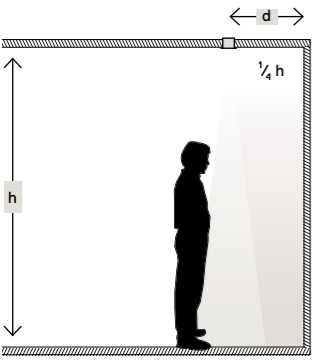


**One Asymmetric**

**One Asymmetric Trimless**



The asymmetric light effect can cover the wall from an approximate distance of  $\frac{1}{4}$  the wall's height with visual comfort avoiding glare and no shadow projection on the wall.

## One Adjustable / One Adjustable Trimless

Ø60mm



Spot  
UGR<10



**One Adjustable**



**One Adjustable Trimless**





Medium  
UGR<10



## One Square / One Square Trimless

60X60mm
45x45mm



Medium  
UGR<10





**One Square**



**One Square Trimless**





Flood  
UGR<16

## One Surface / Pendant

Ø85mm



Spot  
UGR<10



**Accessories**  
Fitting accessories for pendant installation, to be ordered separately.





Medium  
UGR<10



Flood  
UGR<16

**One Surface / Pendant**



Finishes ○ .01 White ● .02 Black

Finishes ○ .01 White ● .02 Black